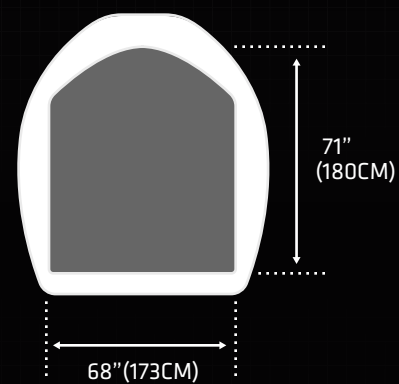
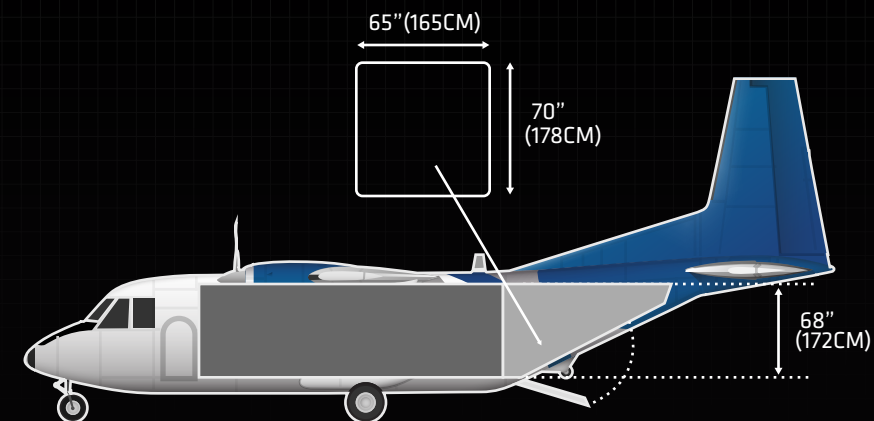




CASA 212



SPECIFICATIONS

IMPERIAL

METRIC

MANUFACTURER	CASA	
TYPE	CASA 212	
CRUISE SPEED	185 MPH	298 KPH
MAX. PAYLOAD	4,409 LB	2,000 KG
MAX. VOLUME	840 CBF	24 CBM
CARGO HOLD SIZE LXWXH	240" X 68" X 71"	610CM X 173CM X 180CM
MAIN SIDE/NOSE DOOR SIZE WXH	65" X 70"	165CM X 178CM
RANGE FULLY LOADED	1,125 MI	1,811 KM
FUEL CAPACITY	500 US GAL	1,900 L
LOWER FORWARD DOOR WXH	N/A	N/A
LOWER AFT DOOR WXH	N/A	N/A