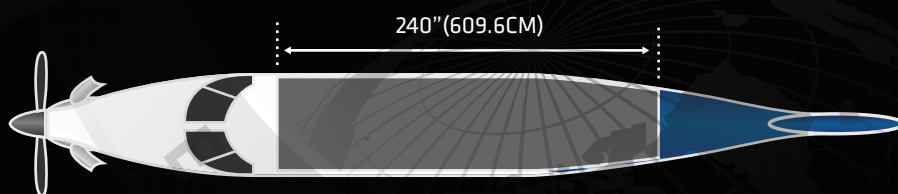
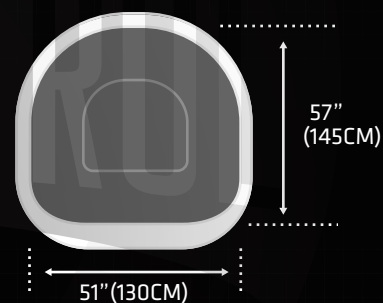
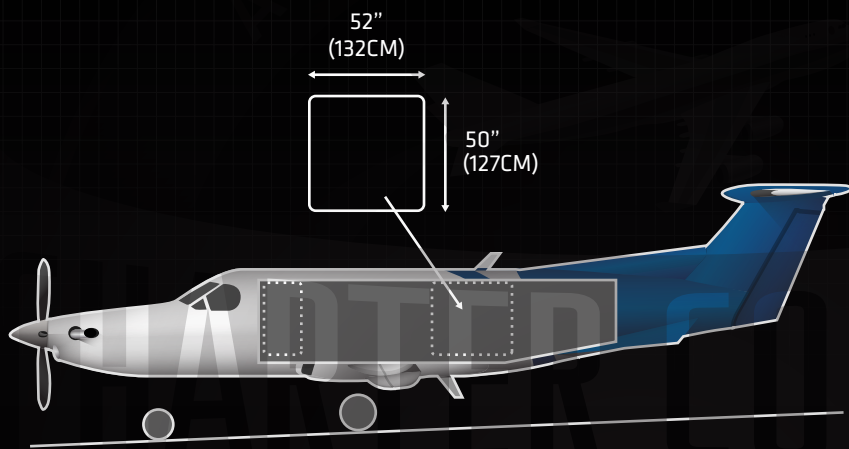




PILATUS PC-12



SPECIFICATIONS

IMPERIAL

METRIC

MANUFACTURER	PILATUS	
TYPE	PC-12	
CRUISE SPEED	300 MPH	483 KPH
MAX. PAYLOAD	2,800 LB	1,270 KG
MAX. VOLUME	330 CBF	9 CBM
CARGO HOLD SIZE LXWXH	240" X 51" X 57"	610CM X 130CM X 145CM
MAIN SIDE/NOSE DOOR SIZE WXH	52" X 50"	132CM X 127CM
RANGE FULLY LOADED	1,753 MI	2,804 KM
FUEL CAPACITY	402 GAL	1,521.74 L
LOWER FORWARD DOOR WXH	N/A	N/A
LOWER AFT DOOR WXH	N/A	N/A