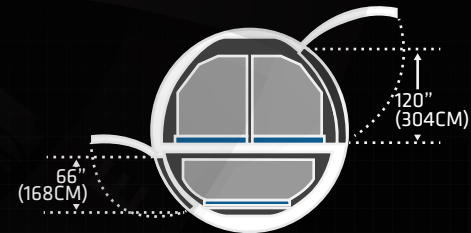
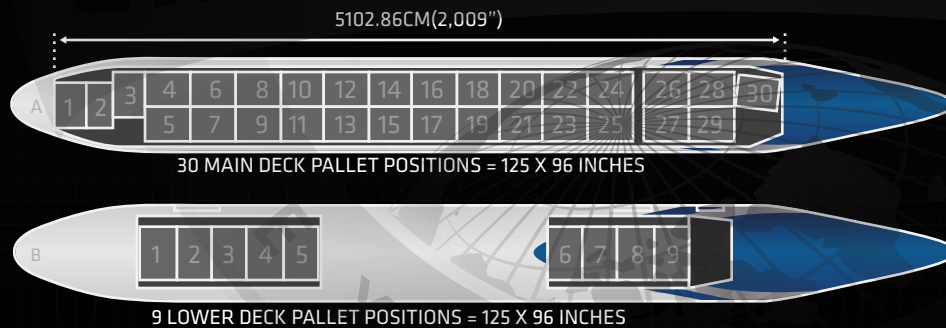
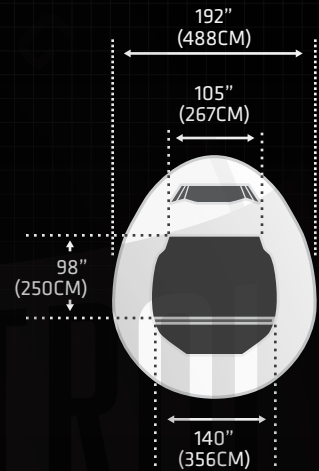
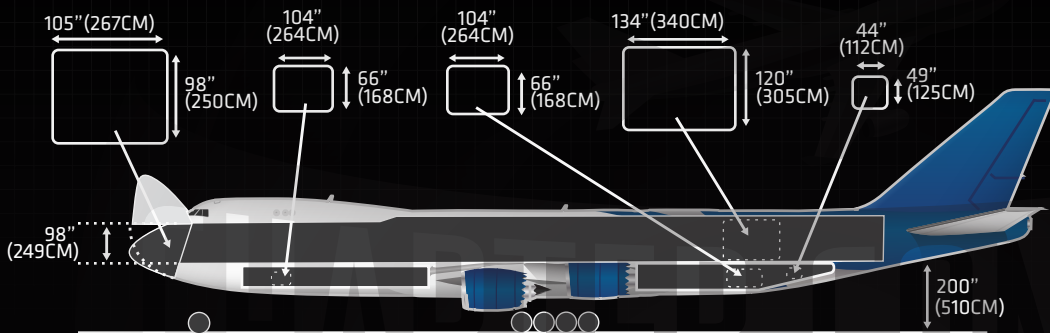




BOEING B747-400



SPECIFICATIONS

IMPERIAL

METRIC

| | | |
|------------------------------|----------------------------|---------------------------------|
| MANUFACTURER | BOEING | |
| TYPE | B747-400F | |
| CRUISE SPEED | 555 MPH | 893 KPH |
| MAX. PAYLOAD | 245,000 LB | 110,000 KG |
| MAX. VOLUME | 26,587 CBF | 752 CBM |
| CARGO HOLD SIZE LXWXH | 2,009" X 192" X 120" | 5,103CM X 488CM X 305CM |
| MAIN SIDE/NOSE DOOR SIZE WXH | S:134" X 120" N:105" X 98" | S:340CM X 304CM N:267CM X 250CM |
| RANGE FULLY LOADED | 4,445 NMI | 8,230 KM |
| FUEL CAPACITY | 53,765 U.S. GAL | 203,520 L |
| LOWER FORWARD DOOR WXH | 104" X 66" | 264CM X 168CM |
| LOWER AFT DOOR WXH | 104" X 66" | 264CM X 168CM |