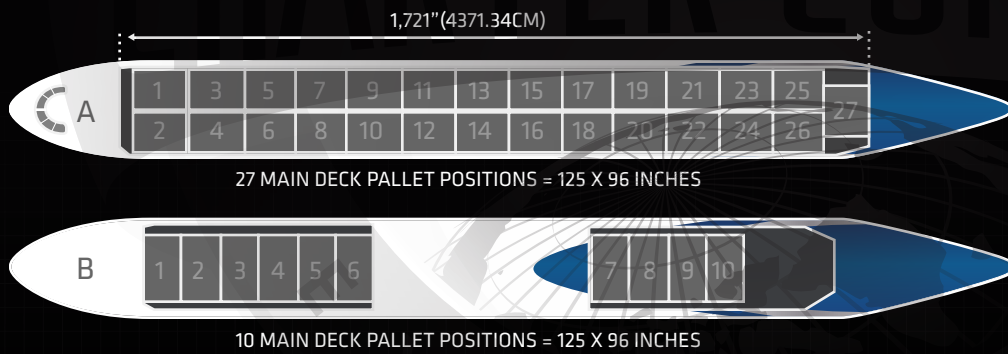
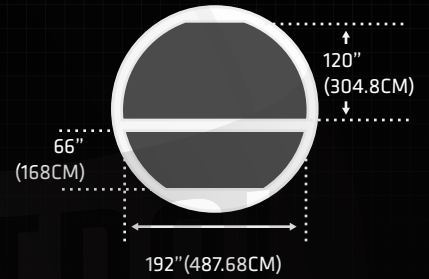
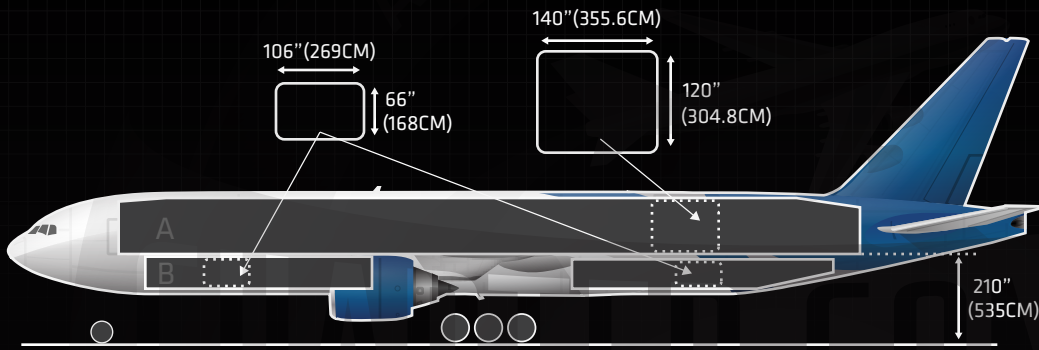




BOEING B777-200



SPECIFICATIONS

IMPERIAL

METRIC

| | | |
|------------------------------|----------------------|-------------------------|
| MANUFACTURER | BOEING | |
| TYPE | B777-200F | |
| CRUISE SPEED | 555 MPH | 893 KPH |
| MAX. PAYLOAD | 220,000 LB | 99,790 KG |
| MAX. VOLUME | 23,051 CBF | 653 CBM |
| CARGO HOLD SIZE LXWXH | 1,721" X 192" X 120" | 4,371CM X 488CM X 305CM |
| MAIN SIDE/NOSE DOOR SIZE WXH | S: 140" X 120" | S: 356CM X 305CM |
| RANGE FULLY LOADED | 4,885 NMI | 9,045 KM |
| FUEL CAPACITY | 47,890 U.S. GAL | 181,283 L |
| LOWER FORWARD DOOR WXH | 106" X 66" | 269CM X 168CM |
| LOWER AFT DOOR WXH | 106" X 66" | 269CM X 168CM |