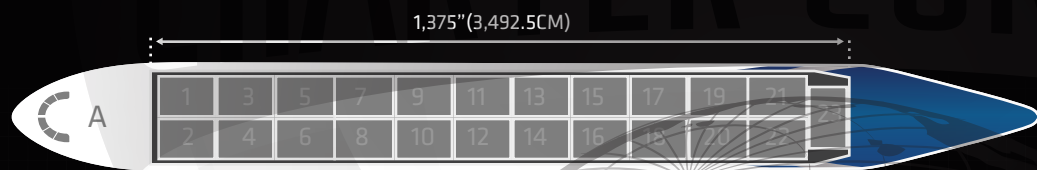
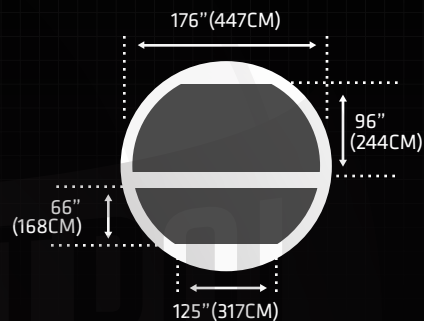
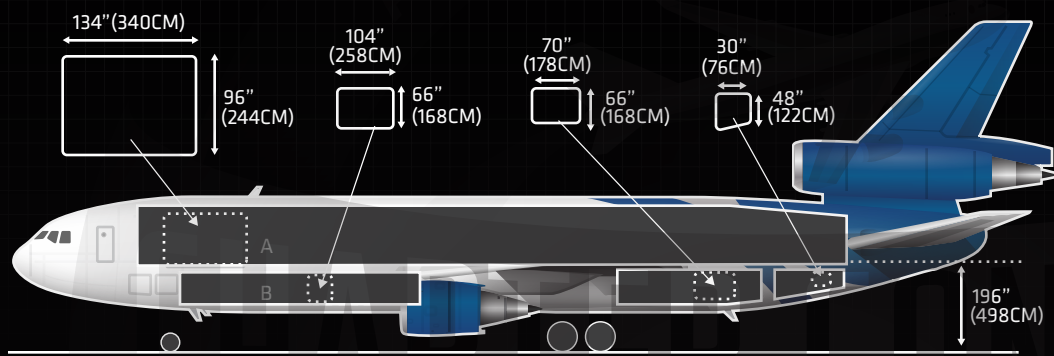




# DOUGLAS DC-10-30F



23 MAIN DECK PALLET POSITIONS = 88 X 125 INCHES



5 X 88X125 INCHES FWD LOWER DECK COMPARTMENT  
4 X P9P PALLETS AFT LOWER DECK COMPARTMENT



## SPECIFICATIONS

## IMPERIAL

## METRIC

MANUFACTURER	DOUGLAS	
TYPE	DC-10-30F	
CRUISE SPEED	540 MPH	869 KPH
MAX. PAYLOAD	143,500 LB	65,091 KG
MAX. VOLUME	14,866 CBF	420 CBM
CARGO HOLD SIZE LXWXH	1,375" X 176" X 96"	3,493CM X 447CM X 244CM
MAIN SIDE/NOSE DOOR SIZE WXH	S: 134" X 98"	S: 340CM X 249CM
RANGE FULLY LOADED	6,600 MI	10,622 KM
FUEL CAPACITY	36,650 U.S. GAL	138,720 L
LOWER FORWARD DOOR WXH	104" X 66"	264CM X 168CM
LOWER AFT DOOR WXH	70" X 66"	178CM X 168CM

24 HR +1 914 893-5010



CHARTERS@CHARTERCTRL.COM

© AIR CHARTER CONTROL. ALL RIGHTS RESERVED.