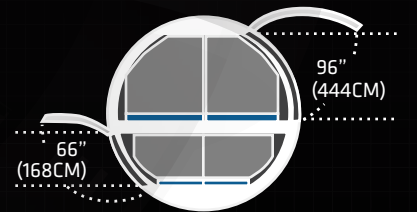
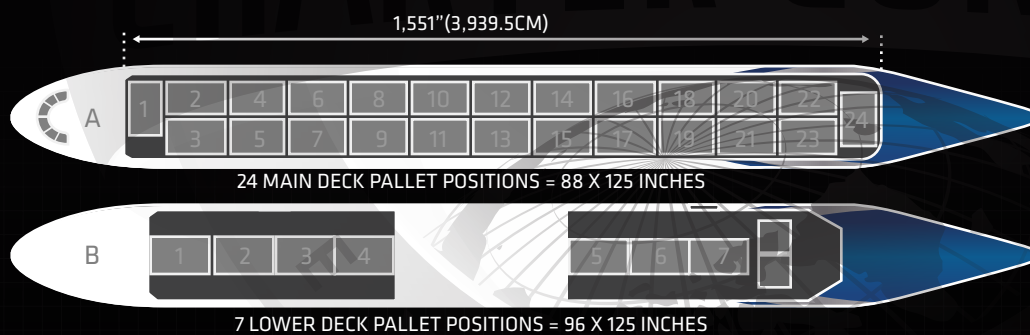
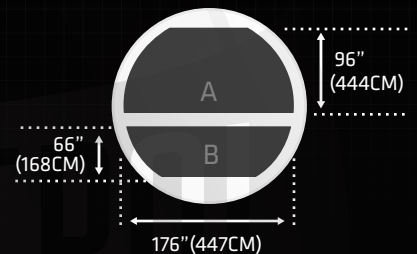
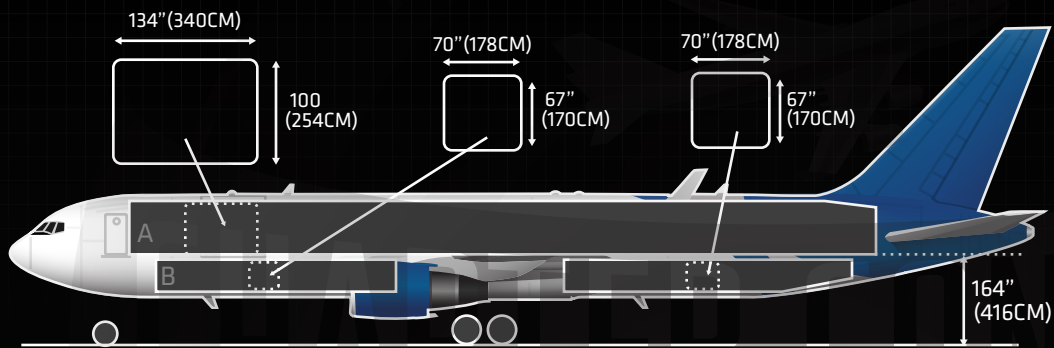




BOEING B767-300F



SPECIFICATIONS	IMPERIAL	METRIC
MANUFACTURER	Boeing BOEING	
TYPE	B767-300F	
CRUISE SPEED	530 MPH	853 KPH
MAX. PAYLOAD	106,300 LB	48,217 KG
MAX. VOLUME	11,884 CBF	337 CBM
CARGO HOLD SIZE LXWXH	1,551" X 176" X 96"	3,940CM X 447CM X 243CM
MAIN SIDE/NOSE DOOR SIZE WXH	134" X 100"	340CM X 254CM
RANGE FULLY LOADED	3,255 NMI	6,028 KM
FUEL CAPACITY	24,140 US GAL	91,400 L
LOWER FORWARD DOOR WXH	70" X 67"	185CM X 170CM
LOWER AFT DOOR WXH	70" X 67"	185CM X 170CM