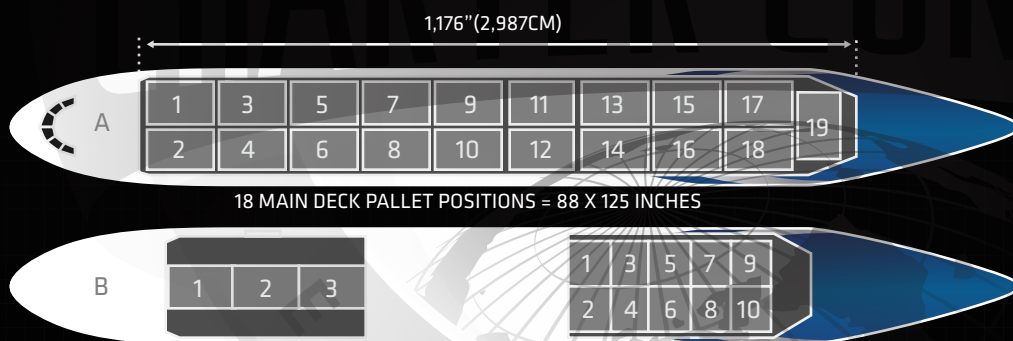
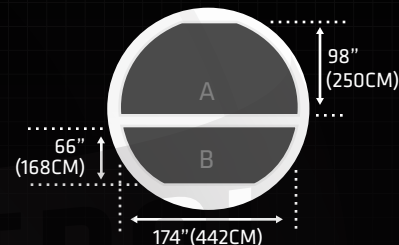
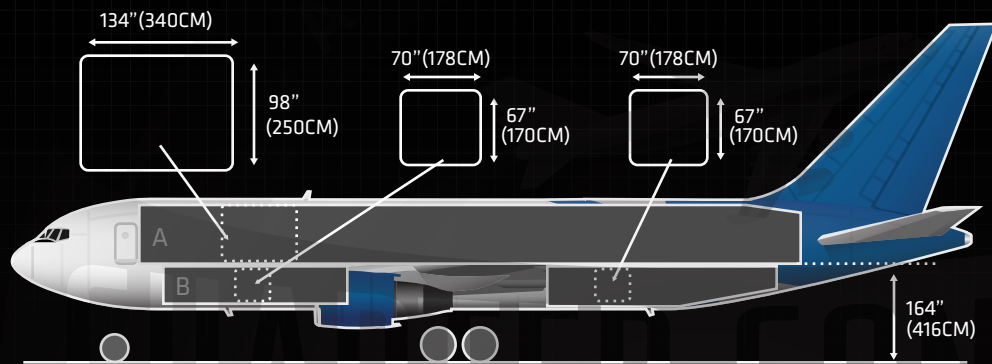




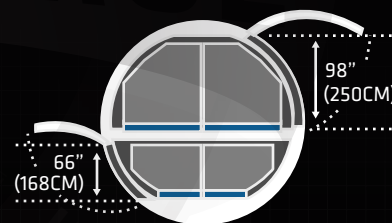
BOEING B767-200F



18 MAIN DECK PALLET POSITIONS = 88 X 125 INCHES



3 LOWER DECK CONTOURED PALLET POSITIONS = 96 X 125 INCHES
10 AFT LOWER DECK LD3 CONTAINER POSITIONS



SPECIFICATIONS

IMPERIAL

METRIC

MANUFACTURER	BOEING	
TYPE	B767-200F	
CRUISE SPEED	530 MPH	853 KPH
MAX. PAYLOAD	86,000 LB	39,009 KG
MAX. VOLUME	9,876 CBF	362 CBM
CARGO HOLD SIZE LXWXH	1,176" X 176" X 96"	2,987CM X 447CM X 244CM
MAIN SIDE/NOSE DOOR SIZE WXH	134" X 98"	340CM X 249CM
RANGE FULLY LOADED	3,135 MI	5,805 KM
FUEL CAPACITY	20,450 US GAL	77,410 L
LOWER FORWARD DOOR WXH	70" X 67"	178CM X 170CM
LOWER AFT DOOR WXH	70" X 67"	178CM X 170CM