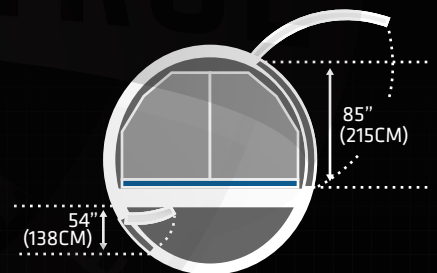
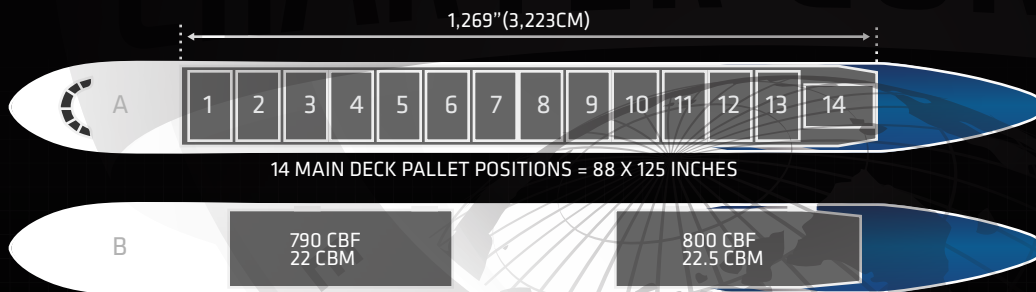
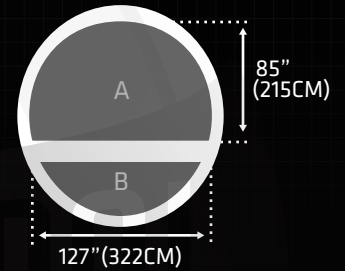
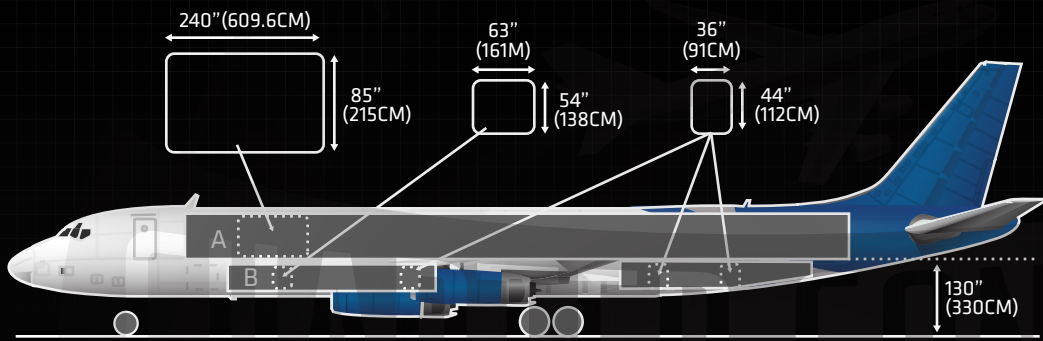




# DOUGLAS DC 8 62



## SPECIFICATIONS

## IMPERIAL

## METRIC

MANUFACTURER	DOUGLAS	
TYPE	DC-8-62	
CRUISE SPEED	550 MPH	885 KPH
MAX. PAYLOAD	85,000 LB	38,555 KG
MAX. VOLUME	6,160 CBF	174 CBM
CARGO HOLD SIZE LXWXH	1,269" X 125" X 80"	3223CM X 318CM X 203CM
MAIN SIDE/NOSE DOOR SIZE WXH	240" X 85"	640CM X 437CM
RANGE FULLY LOADED	3,222 NMI	5,185 KM
FUEL CAPACITY	25,000 US GAL	94,635 L
LOWER FORWARD DOOR WXH	63" X 54"	160CM X 137CM
LOWER AFT DOOR WXH	36" X 44"	91CM X 112CM

24 HR + 1 914 893-5010



CHARTERS@CHARTERCTRL.COM