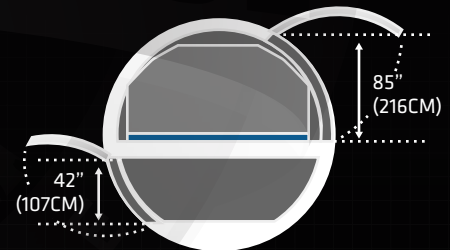
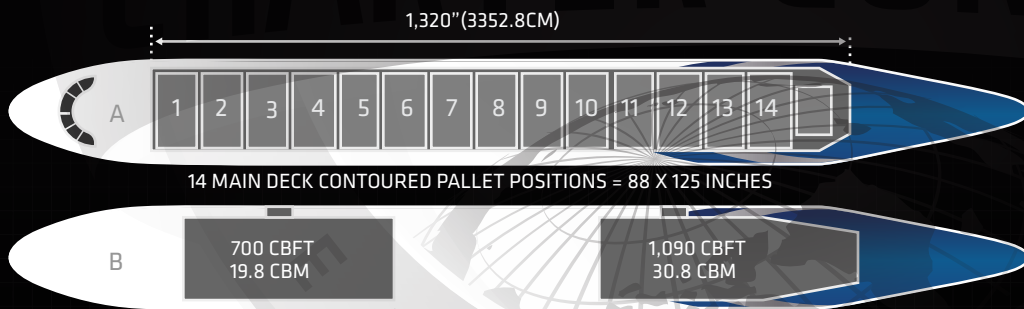
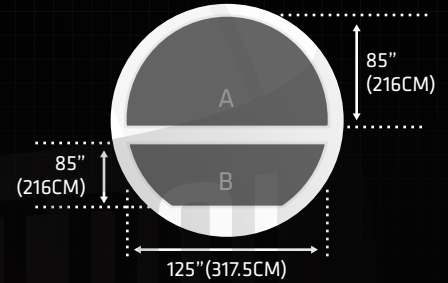
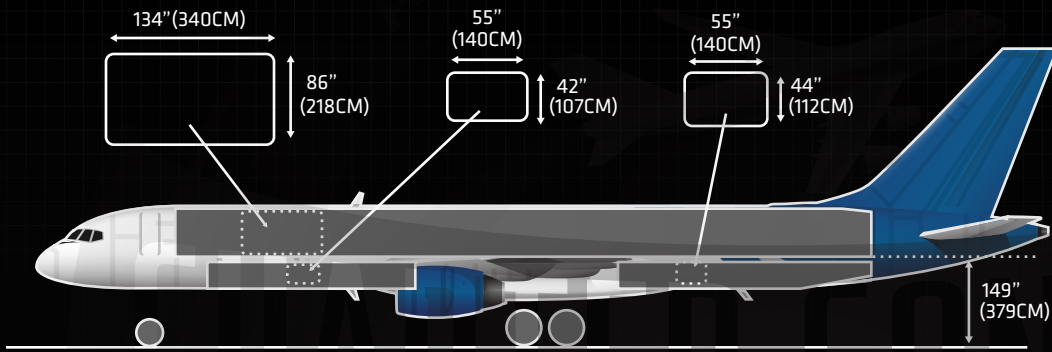




BOEING B757-200F



SPECIFICATIONS

IMPERIAL

METRIC

MANUFACTURER	BOEING	
TYPE	B757-200F	
CRUISE SPEED	530 MPH	853 KPH
MAX. PAYLOAD	66,000 LB	29,937 KG
MAX. VOLUME	6,600 CBF	187 CBM
CARGO HOLD SIZE LXWXH	1,320" X 125" X 85"	3353CM X 318CM X 216CM
MAIN SIDE/NOSE DOOR SIZE WXH	134" X 86"	340CM X 218CM
RANGE FULLY LOADED	3,567 MI	5,750 KM
FUEL CAPACITY	11,276 US GAL	42,680 L
LOWER FORWARD DOOR WXH	55" X 42"	140CM X 107CM
LOWER AFT DOOR WXH	55" X 44"	140CM X 112CM

24 HR + 1 914 893-5010



CHARTERS@CHARTERCTRL.COM

© AIR CHARTER CONTROL. ALL RIGHTS RESERVED.