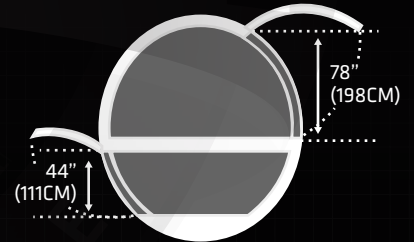
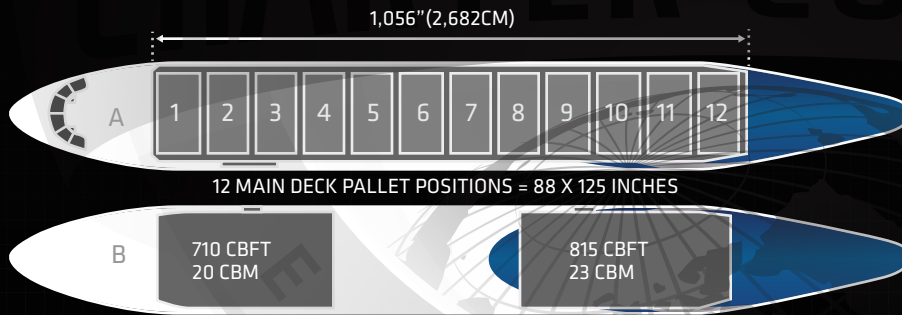
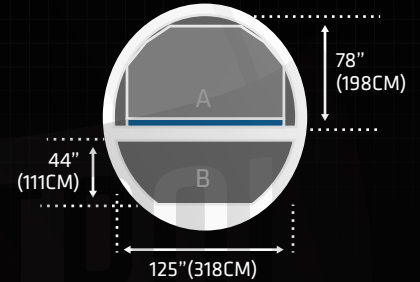
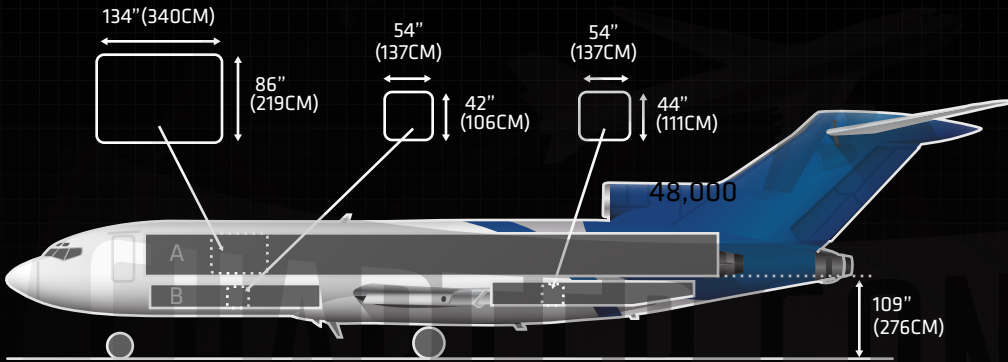




BOEING B727-200F



SPECIFICATIONS

IMPERIAL

METRIC

MANUFACTURER	BOEING	
TYPE	B727-200F	
CRUISE SPEED	475 MPH	764 KPH
MAX. PAYLOAD	48,000 LB	21,772 KG
MAX. VOLUME	4,820 CBF	136 CBM
CARGO HOLD SIZE LXWXH	1,056" X 125" X 78"	2,682CM X 318CM X 198CM
MAIN SIDE/NOSE DOOR SIZE WXH	134" X 86"	340CM X 218CM
RANGE FULLY LOADED	1,835 MI	2,955 KM
FUEL CAPACITY	8,090 US GAL	30,600 L
LOWER FORWARD DOOR WXH	54" X 42"	137CM X 106CM
LOWER AFT DOOR WXH	54" X 44"	137CM X 111CM