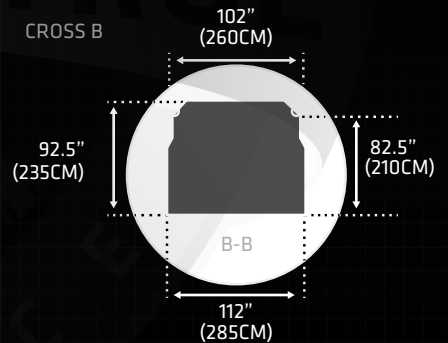
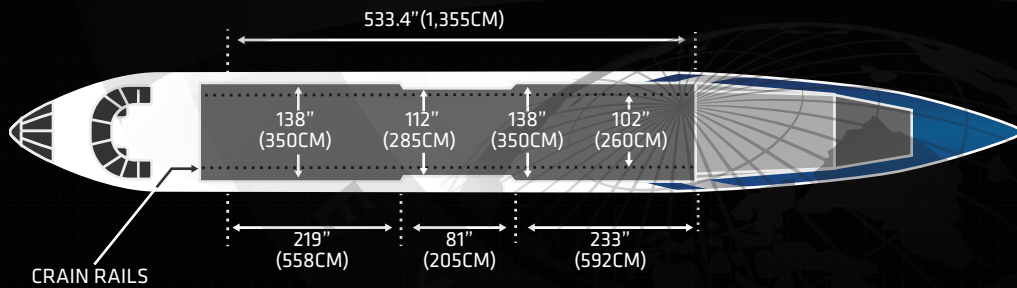
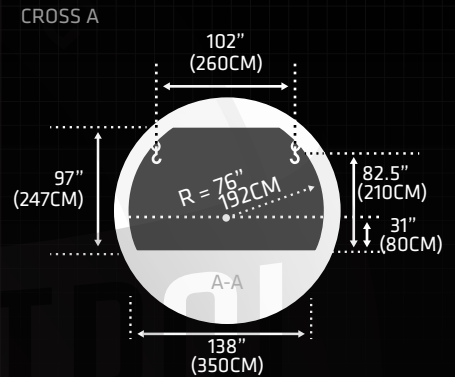
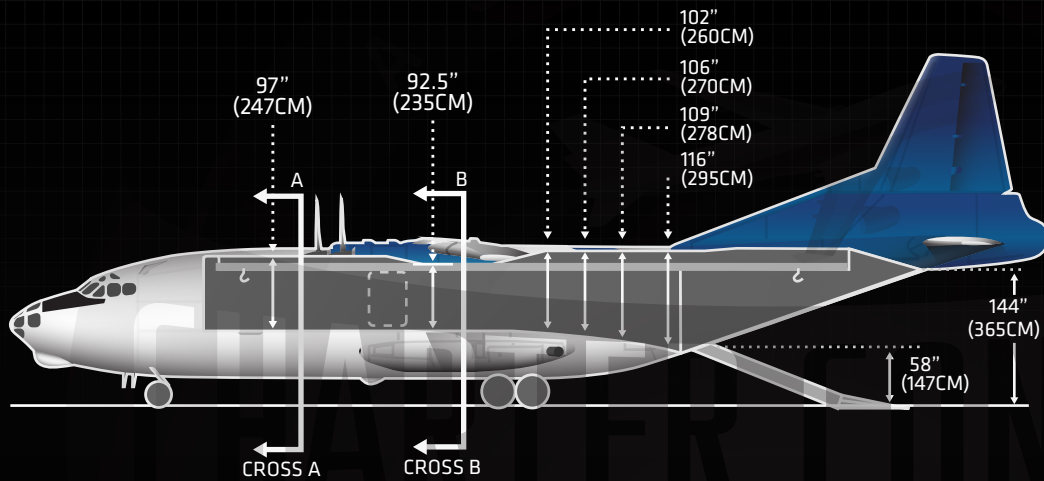




# ANTONOV AN-12



## SPECIFICATIONS

## IMPERIAL

## METRIC

MANUFACTURER	ANTONOV	
TYPE	AN-12	
CRUISE SPEED	340 MPH	547 KPH
MAX. PAYLOAD	39,500 LB	17,917 KG
MAX. VOLUME	3,350 CBF	95 CBM
CARGO HOLD SIZE LXWXH	533.6" X 137" X 97"	1,355CM X 348CM X 346CM
MAIN SIDE/NOSE DOOR SIZE WXH	114" X 96"	290CM X 244CM
RANGE FULLY LOADED	2,234 MI	3,600 KM
FUEL CAPACITY	7,120 US GAL	26,320 L
LOWER FORWARD DOOR WXH	N/A	N/A
LOWER AFT DOOR WXH	N/A	N/A