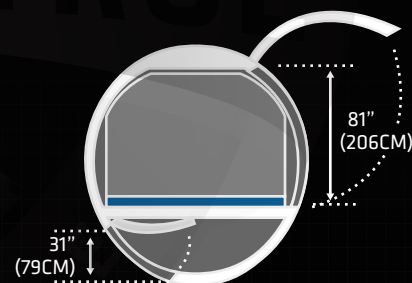
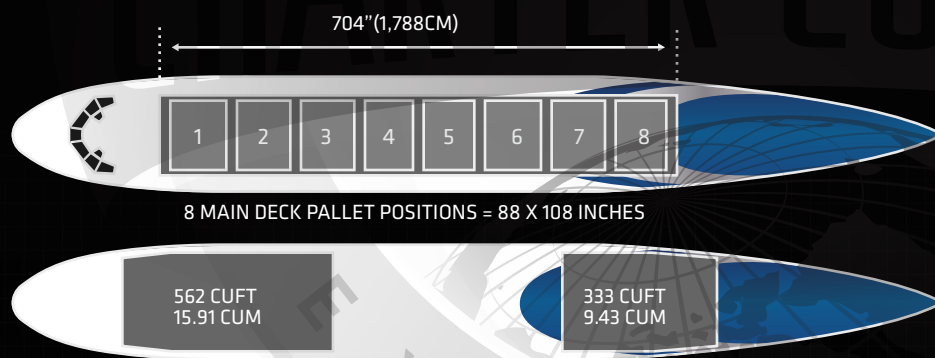
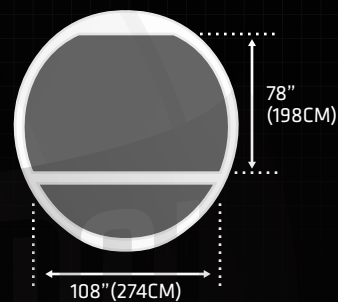
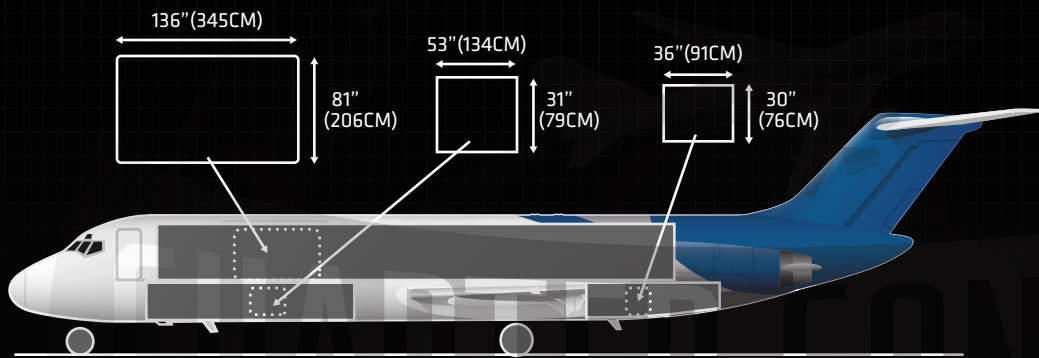




DOUGLAS DC-9-30F



SPECIFICATIONS

IMPERIAL

METRIC

MANUFACTURER	DOUGLAS	
TYPE	DC-9-30F	
CRUISE SPEED	475 MPH	764 KPH
MAX. PAYLOAD	38,450 LB	17,441 KG
MAX. VOLUME	3,148 CBF	89 CBM
CARGO HOLD SIZE LXWXH	704" X 108" X 78"	1788CM X 274CM X 198CM
MAIN SIDE/NOSE DOOR SIZE WXH	136" X 81"	345CM X 206CM
RANGE FULLY LOADED	1,923 MI	3,095 KM
FUEL CAPACITY	3,675 US GALLONS	16,725 L
LOWER FORWARD DOOR WXH	53" X 31"	134CM X 79CM
LOWER AFT DOOR WXH	36" X 30"	91CM X 76CM