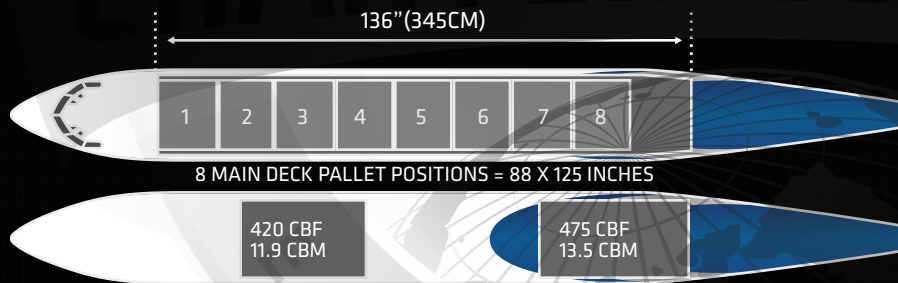
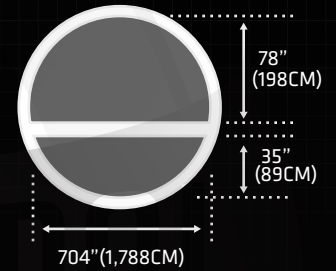
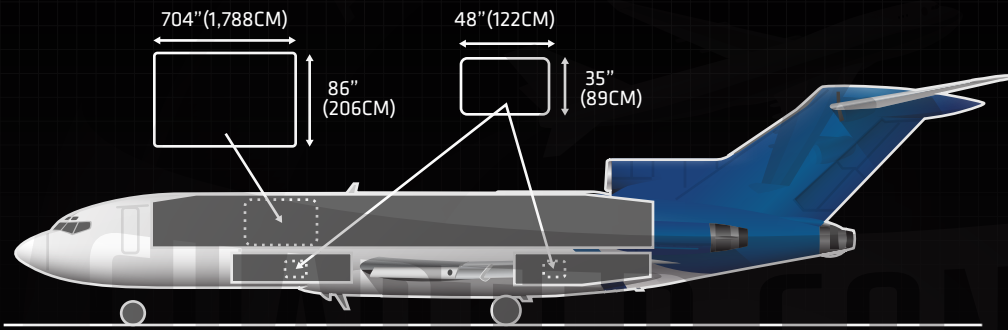




BOEING B727-100F



SPECIFICATIONS

IMPERIAL

METRIC

MANUFACTURER	BOEING	
TYPE	B727-100F	
CRUISE SPEED	475 MPH	764 KPH
MAX. PAYLOAD	36,500 LB	16,556 KG
MAX. VOLUME	3,278 CBF	93 CBM
CARGO HOLD SIZE LXWXH	792" X 125" X 78"	2,012CM X 318CM X 198CM
MAIN SIDE/NOSE DOOR SIZE WXH	134" X 86"	340CM X 218CM
RANGE FULLY LOADED	2,300 NMI	4,300 KM
FUEL CAPACITY	7,680 US GAL	29,100 L
LOWER FORWARD DOOR WXH	48" X 35"	122CM X 89CM
LOWER AFT DOOR WXH	48" X 35"	122CM X 89CM