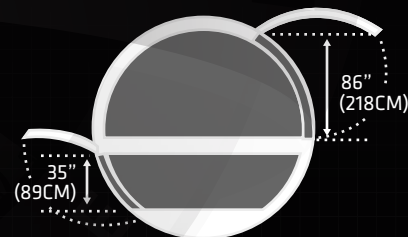
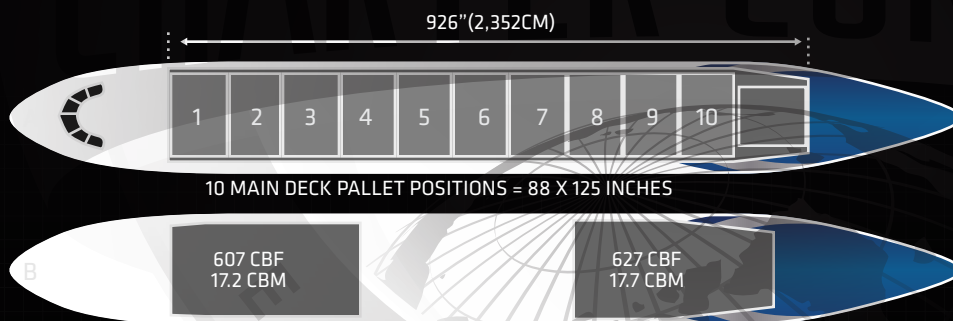
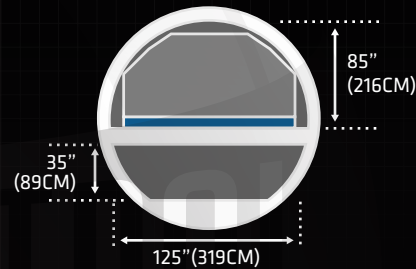
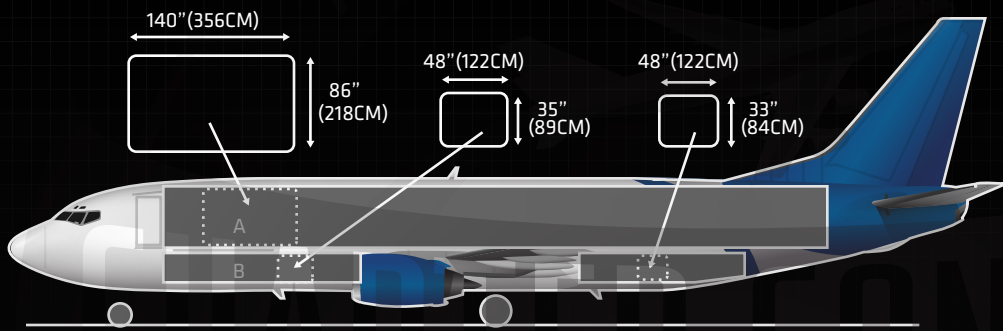




BOEING B737-400F



SPECIFICATIONS

IMPERIAL

METRIC

MANUFACTURER	BOEING	
TYPE	B737-400F	
CRUISE SPEED	485 MPH	781 KPH
MAX. PAYLOAD	36,366 LB	16,495 KG
MAX. VOLUME	3,982 CBF	113 CBM
CARGO HOLD SIZE LXWXH	926" X 125" X 85"	2,352CM X 318CM X 216CM
MAIN SIDE/NOSE DOOR SIZE WXH	140" X 86"	356CM X 218CM
RANGE FULLY LOADED	2,392 MI	3,850 KM
FUEL CAPACITY	5,310 US GAL	20,100 L
LOWER FORWARD DOOR WXH	48" X 35"	122CM X 89CM
LOWER AFT DOOR WXH	48" X 33"	122CM X 84CM