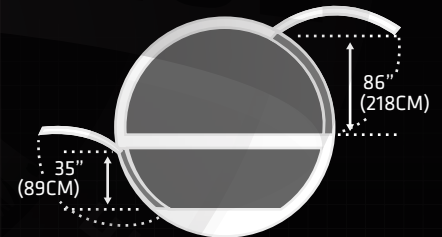
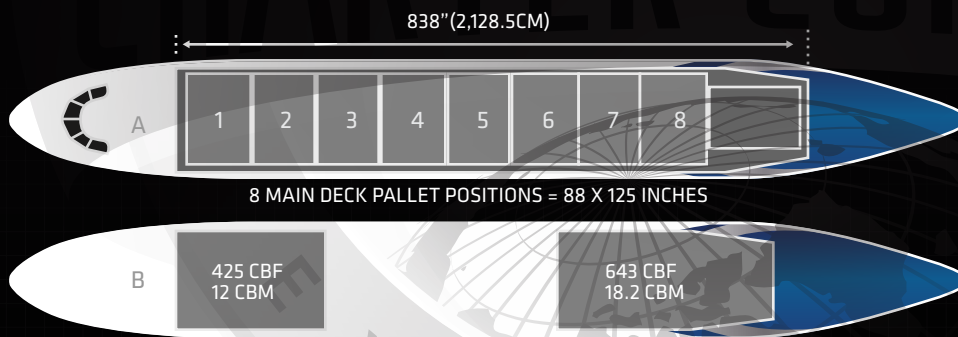
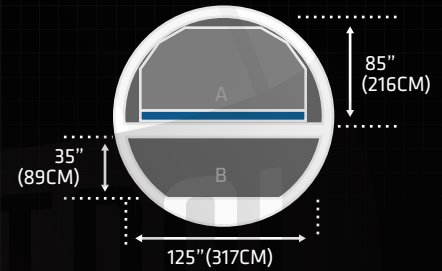
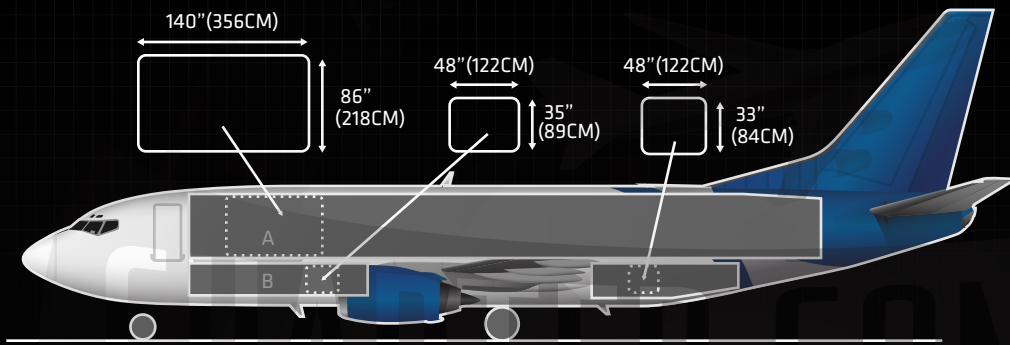




# BOEING B737-300SF



## SPECIFICATIONS

## IMPERIAL

## METRIC

MANUFACTURER	BOEING	
TYPE	B737-300SF	
CRUISE SPEED	485 MPH	781 KPH
MAX. PAYLOAD	31,350 LB	14,220 KG
MAX. VOLUME	3,562 CBF	101 CBM
CARGO HOLD SIZE LXWXH	838" X 125" X 85"	2,129CM X 318CM X 216CM
MAIN SIDE/NOSE DOOR SIZE WXH	140" X 86"	356CM X 218CM
RANGE FULLY LOADED	1,820 MI	2,929 KM
FUEL CAPACITY	5,310 US GAL	20,100 L
LOWER FORWARD DOOR WXH	48" X 35"	122CM X 89CM
LOWER AFT DOOR WXH	48" X 33"	122CM X 84CM