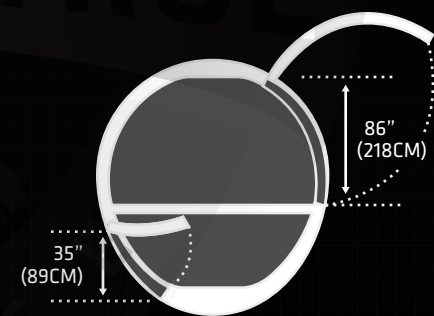
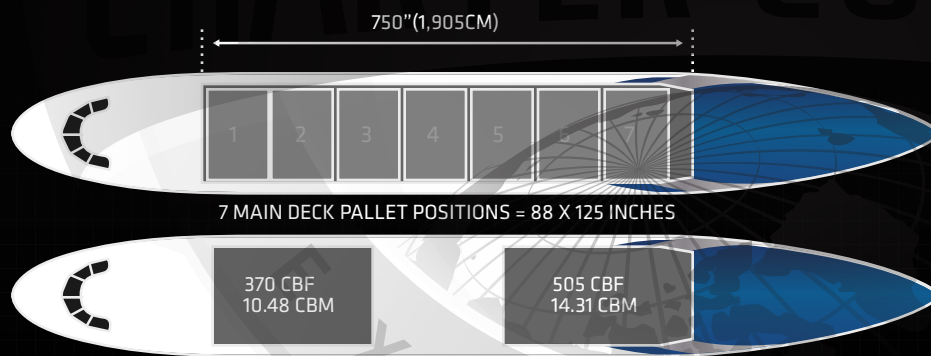
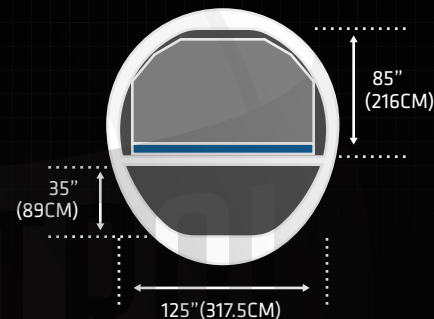
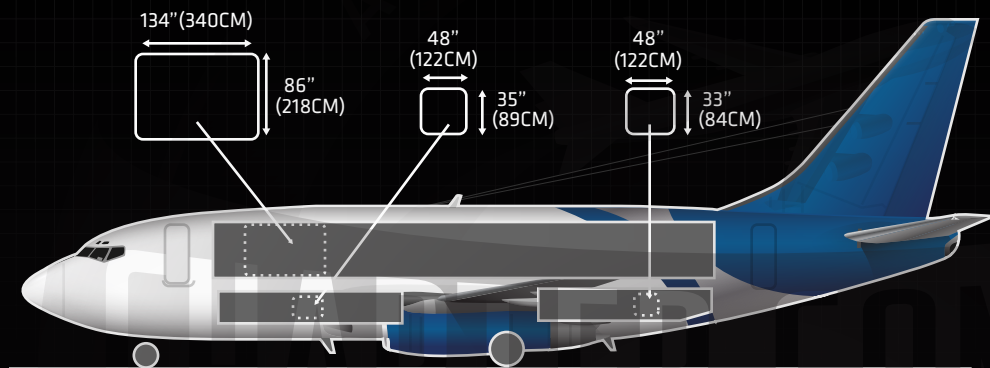




BOEING B737-200C



SPECIFICATIONS

IMPERIAL

METRIC

MANUFACTURER	BOEING	
TYPE	B737-200C	
CRUISE SPEED	485 MPH	781 KPH
MAX. PAYLOAD	29,120 LB	13,209 KG
MAX. VOLUME	3,562 CBF	101 CBM
CARGO HOLD SIZE LXWXH	750" X 125" X 85"	1,905CM X 318CM X 216CM
MAIN SIDE/NOSE DOOR SIZE WXH	134" X 86"	340CM X 218CM
RANGE FULLY LOADED	2,200-2,600 MI	3,500-4,300 KM
FUEL CAPACITY	5,160 US GAL	19,500 L
LOWER FORWARD DOOR WXH	48" X 35"	122CM X 89CM
LOWER AFT DOOR WXH	48" X 33"	122CM X 84CM

24 HR +1 914 893-5010



CHARTERS@CHARTERCTRL.COM

© AIR CHARTER CONTROL. ALL RIGHTS RESERVED.