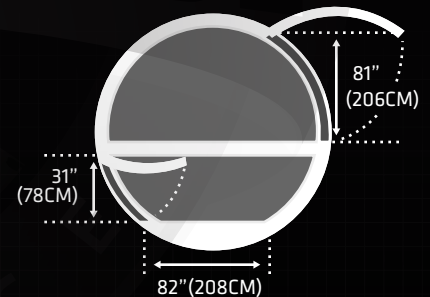
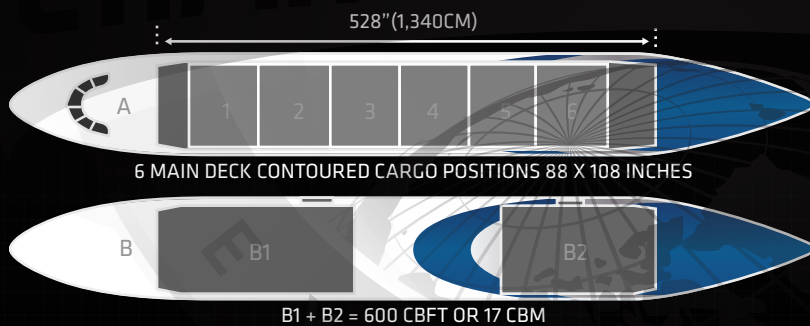
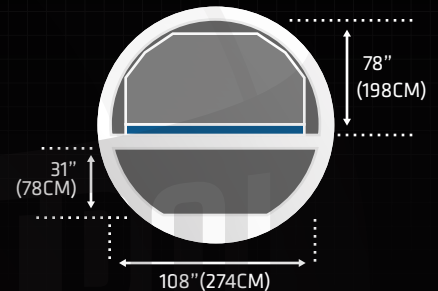
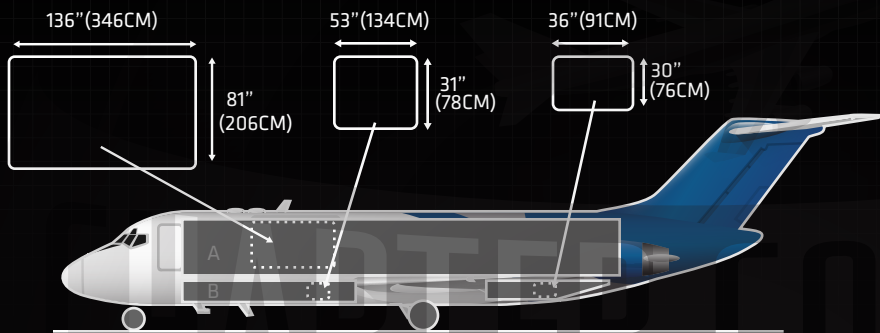




# DOUGLAS DC-9-15



## SPECIFICATIONS

## IMPERIAL

## METRIC

MANUFACTURER	DOUGLAS	
TYPE	DC-9-15F	
CRUISE SPEED	475 MPH	764 KPH
MAX. PAYLOAD	22,150 LB	10,047 KG
MAX. VOLUME	2,448 CBF	69 CBM
CARGO HOLD SIZE LXWXH	528" X 108" X 78"	1,341CM X 274CM X 198CM
MAIN SIDE/NOSE DOOR SIZE WXH	136" X 81"	345CM X 206CM
RANGE FULLY LOADED	1,085 MI	1,922 KM
FUEL CAPACITY	3,700 US GALLONS	14,000 L
LOWER FORWARD DOOR WXH	53" X 31"	134CM X 78CM
LOWER AFT DOOR WXH	36" X 30"	91CM X 76CM