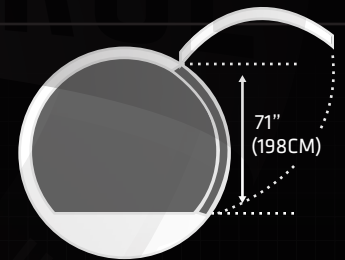
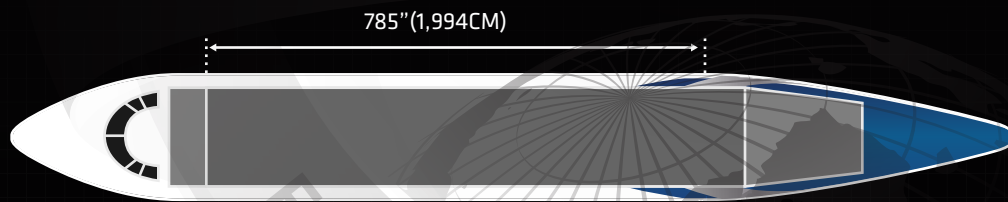
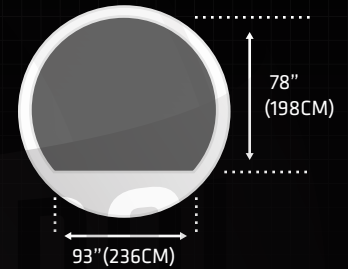
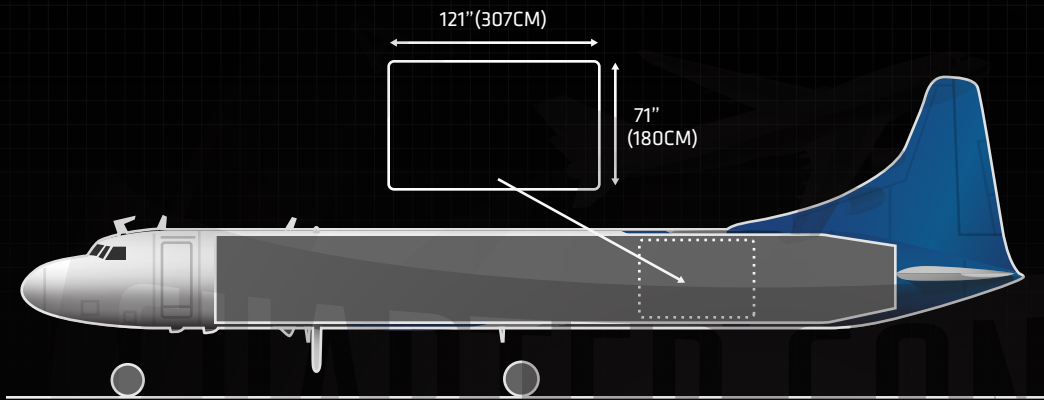




CONVAIR CV-5800



SPECIFICATIONS

IMPERIAL

METRIC

MANUFACTURER	CONVAIR	
TYPE	CV-5800	
CRUISE SPEED	350 MPH	563 KPH
MAX. PAYLOAD	18,000 LB	8,165 KG
MAX. VOLUME	3,069 CBF	87 CBM
CARGO HOLD SIZE LXWXH	785" X 93" X 78"	1,994CM X 236CM X 198CM
MAIN SIDE/NOSE DOOR SIZE WXH	121" X 71"	307CM X 180CM
RANGE FULLY LOADED	750 MI	1,207 KM
FUEL CAPACITY	2,080 US GAL	7,873 L
LOWER FORWARD DOOR WXH	N/A	N/A
LOWER AFT DOOR WXH	N/A	N/A

24 HR +1 914 893-5010



CHARTERS@CHARTERCTRL.COM

© AIR CHARTER CONTROL. ALL RIGHTS RESERVED.