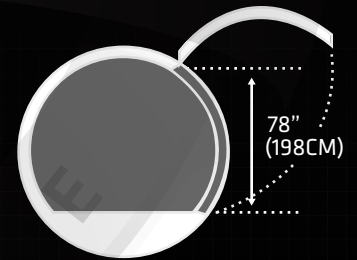
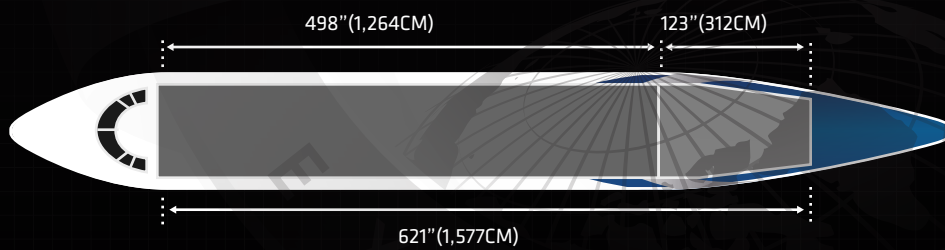
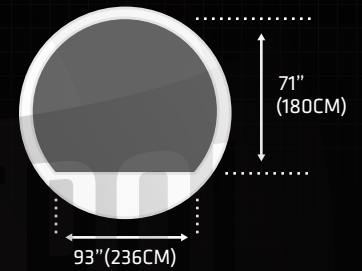
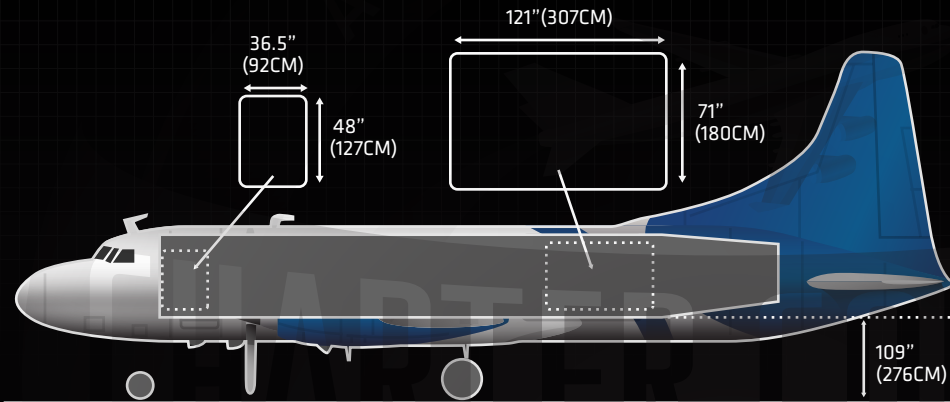




CONVAIR CV-580



SPECIFICATIONS

IMPERIAL

METRIC

MANUFACTURER	CONVAIR	
TYPE	CV-580	
CRUISE SPEED	325 MPH	523 KPH
MAX. PAYLOAD	14,000 LB	6,350 KG
MAX. VOLUME	2,450 CBF	69 CBM
CARGO HOLD SIZE LXWXH	621" X 93" X 71"	1,577CM X 236CM X 180CM
MAIN SIDE/NOSE DOOR SIZE WXH	121" X 71"	307CM X 180CM
RANGE FULLY LOADED	1230 MI	1,980 KM
FUEL CAPACITY	N/A	N/A
LOWER FORWARD DOOR WXH	N/A	N/A
LOWER AFT DOOR WXH	N/A	N/A