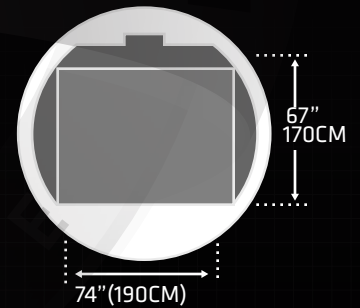
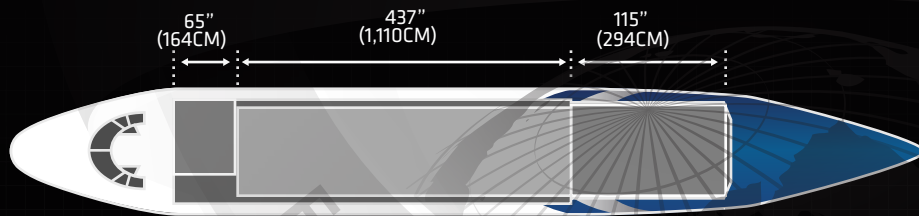
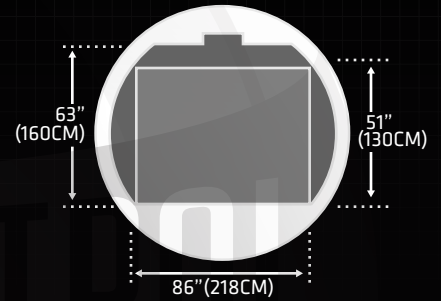
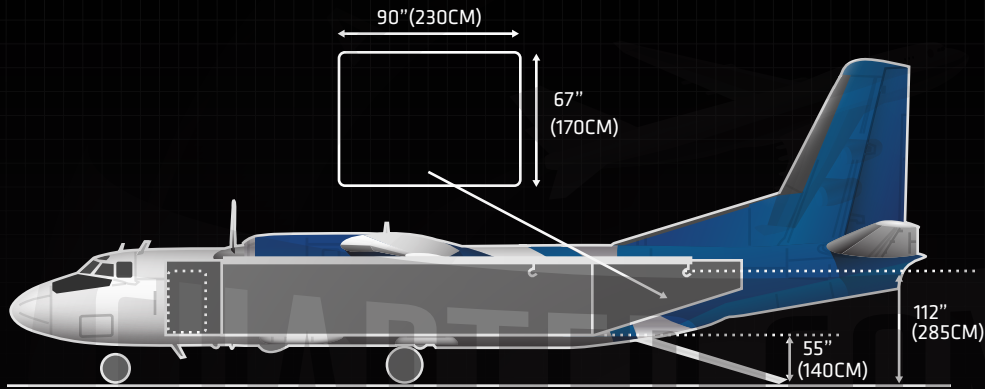




ANTONOV AN-26



SPECIFICATIONS

IMPERIAL

METRIC

MANUFACTURER	ANTONOV	
TYPE	AN-26	
CRUISE SPEED	273 MPH	439 KPH
MAX. PAYLOAD	12,127 LB	5,500 KG
MAX. VOLUME	1,589 CBF	45 CBM
CARGO HOLD SIZE LXWXH	437" X 86" X 63"	1,110CM X 218CM X 160CM
MAIN SIDE/NOSE DOOR SIZE WXH	90" X 67"	229CM X 170CM
RANGE FULLY LOADED	459 MI	740 KM
FUEL CAPACITY	1,876 US GAL	7,100 L
LOWER FORWARD DOOR WXH	N/A	N/A
LOWER AFT DOOR WXH	N/A	N/A