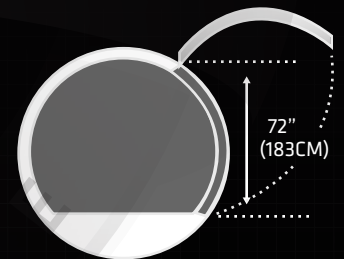
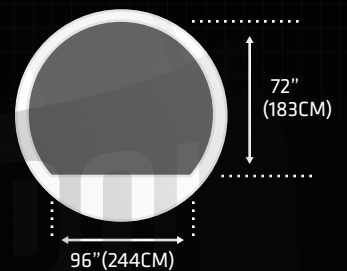
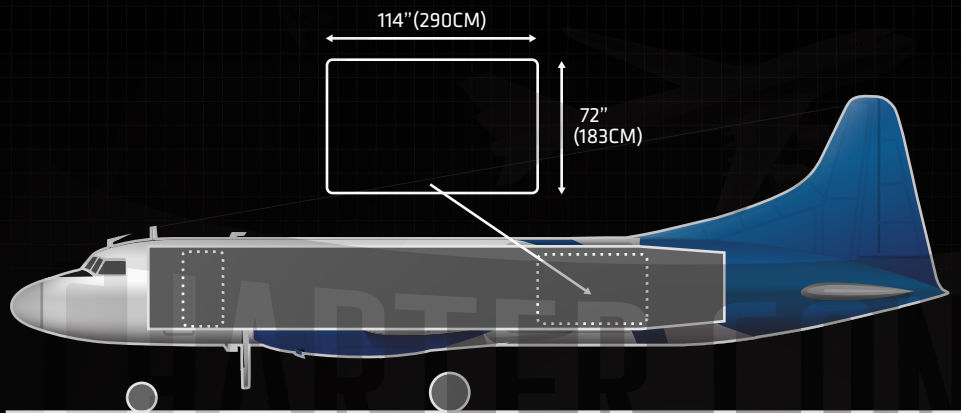




CONVAIR CV-440



SPECIFICATIONS

IMPERIAL

METRIC

MANUFACTURER	CONVAIR	
TYPE	CV-440	
CRUISE SPEED	185 MPH	298 KPH
MAX. PAYLOAD	13,000 LB	5,897 KG
MAX. VOLUME	2,000 CBF	57 CBM
CARGO HOLD SIZE LXWXH	600" X 96" X 72"	1,524CM X 244CM X 183CM
MAIN SIDE/NOSE DOOR SIZE WXH	114" X 72"	290CM X 183CM
RANGE FULLY LOADED	470 MI	756 KM
FUEL CAPACITY	1,730 US GAL	6,549 L
LOWER FORWARD DOOR WXH	N/A	N/A
LOWER AFT DOOR WXH	N/A	N/A