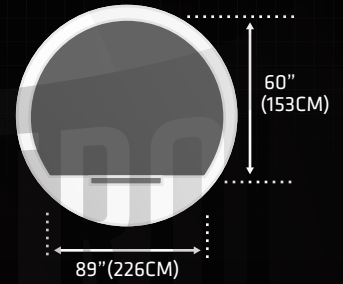
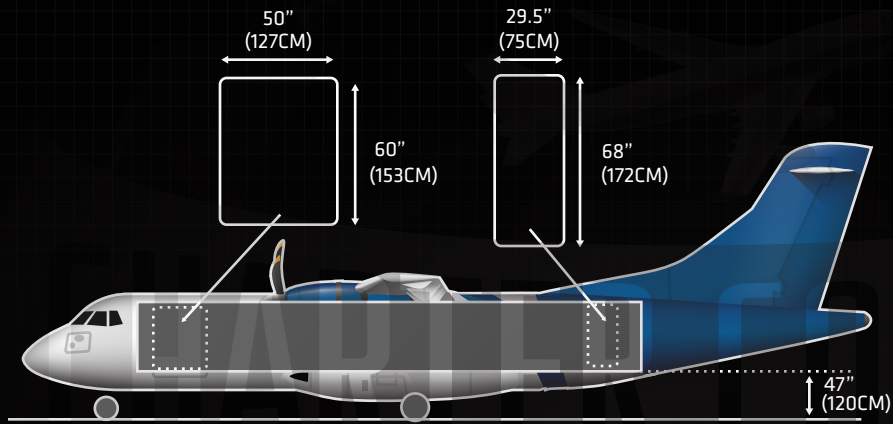
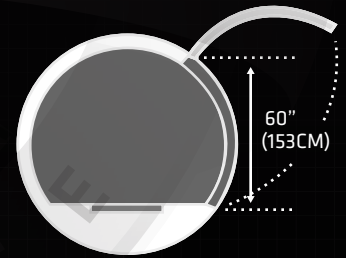




ATR 42



6 MAIN DECK PALLET POSITIONS = 88 X 61.5 INCHES



SPECIFICATIONS

IMPERIAL

METRIC

MANUFACTURER	ATR	
TYPE	ATR-42	
CRUISE SPEED	285 MPH	459 KPH
MAX. PAYLOAD	12,500 LB	249,475.80 KG
MAX. VOLUME	1,900 CBF	54 CBM
CARGO HOLD SIZE LXWXH	511" X 89" X 75"	1,298CM X 226CM X 191CM
MAIN SIDE/NOSE DOOR SIZE WXH	50" X 60"	127CM X 152CM
RANGE FULLY LOADED	966 MI	1,555 KM
FUEL CAPACITY	1,486 US GAL	5,625 KG
LOWER FORWARD DOOR WXH	N/A	N/A
LOWER AFT DOOR WXH	N/A	N/A