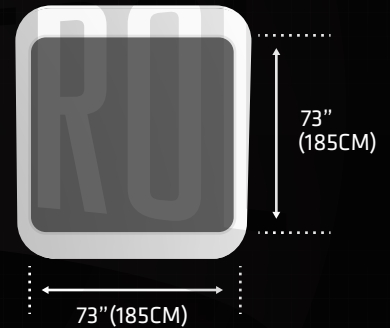
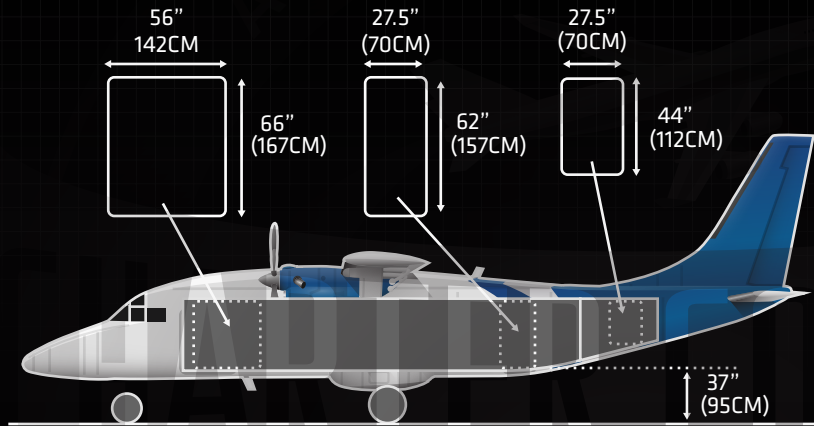




SHORTS SD-360



SPECIFICATIONS	IMPERIAL	METRIC
MANUFACTURER	SHORTS	
TYPE	SD-360	
CRUISE SPEED	235 MPH	378 KPH
MAX. PAYLOAD	6,500 LB	2,948 KG
MAX. VOLUME	1,384 CBF	39 CBM
CARGO HOLD SIZE LXWXH	374" X 73" X 73"	950CM X 185CM X 185CM
MAIN SIDE/NOSE DOOR SIZE WXH	56" X 66"	142CM X 168CM
RANGE FULLY LOADED	732 MI	1,178 KM
FUEL CAPACITY	576 US GAL	2,180 L
LOWER FORWARD DOOR WXH	N/A	N/A
LOWER AFT DOOR WXH	N/A	N/A

24 HR + 1 914 893-5010



CHARTERS@CHARTERCTRL.COM