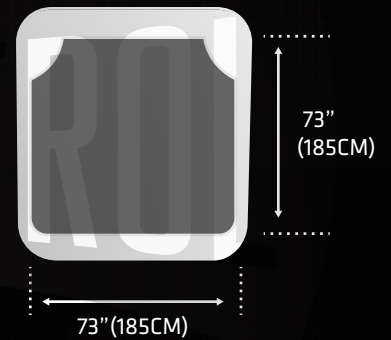
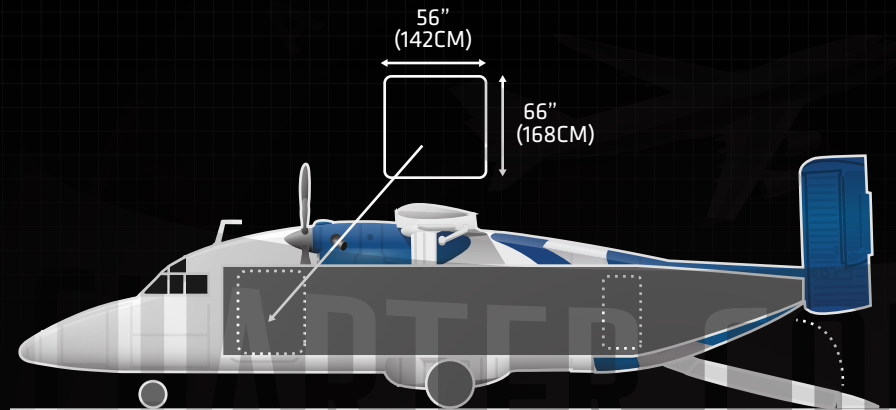




SHORTS SD-330



SPECIFICATIONS	IMPERIAL	METRIC
MANUFACTURER	SHORTS	
TYPE	SD-330	
CRUISE SPEED	200 MPH	322 KPH
MAX. PAYLOAD	6,000 LB	2,722 KG
MAX. VOLUME	1,217 CBF	34 CBM
CARGO HOLD SIZE LXWXH	315" X 73" X 73"	800CM X 185CM X 185CM
MAIN SIDE/NOSE DOOR SIZE WXH	56" X 66"	142CM X 168CM
RANGE FULLY LOADED	1,053 MI	1,695 KM
FUEL CAPACITY	60,211 US GAL	228,000 L
LOWER FORWARD DOOR WXH	N/A	N/A
LOWER AFT DOOR WXH	N/A	N/A