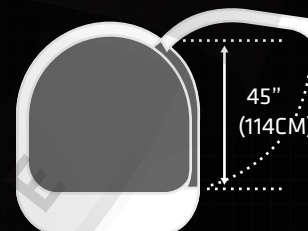
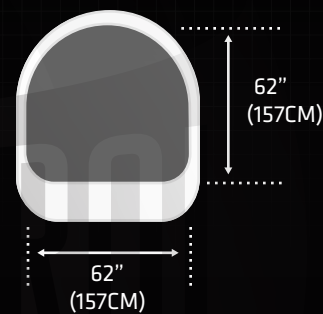
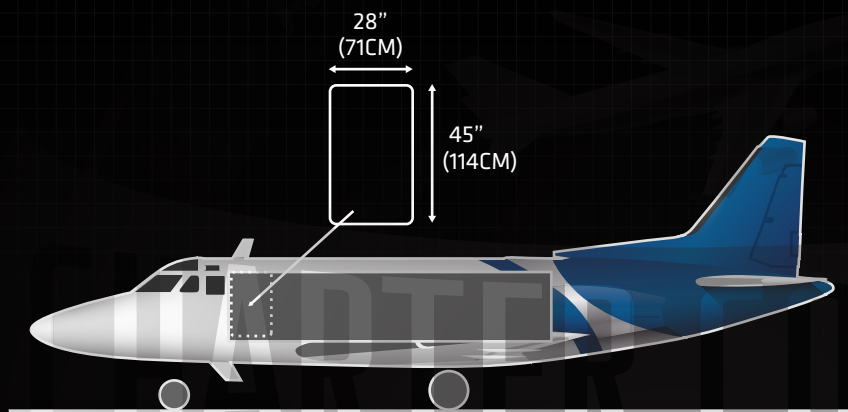




## LOOKHEED SABRELINER 80



### SPECIFICATIONS

### IMPERIAL

### METRIC

|                              |                  |                       |
|------------------------------|------------------|-----------------------|
| MANUFACTURER                 | LOOKHEED         |                       |
| TYPE                         | SABRELINER 80    |                       |
| CRUISE SPEED                 | 500 MPH          | 805 KPH               |
| MAX. PAYLOAD                 | 1,720 LB         | 780 KG                |
| MAX. VOLUME                  | 460 CBF          | 13 CBM                |
| CARGO HOLD SIZE LXWXH        | 226" X 62" X 62" | 574CM X 157CM X 157CM |
| MAIN SIDE/NOSE DOOR SIZE WXH | 28" X 45"        | 71CM X 114CM          |
| RANGE FULLY LOADED           | 2,500 MI         | 4,020 KM              |
| FUEL CAPACITY                | 1,420 US GAL     | 5,375 L               |
| LOWER FORWARD DOOR WXH       | N/A              | N/A                   |
| LOWER AFT DOOR WXH           | N/A              | N/A                   |