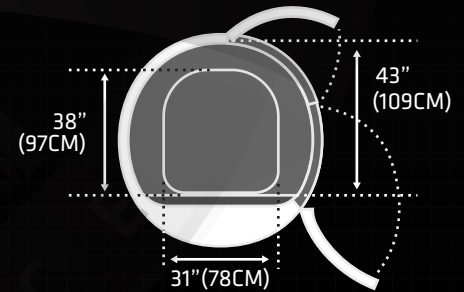
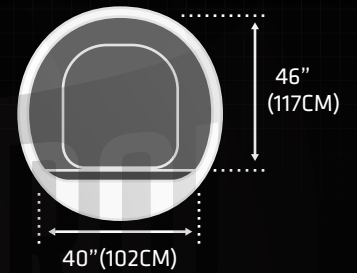
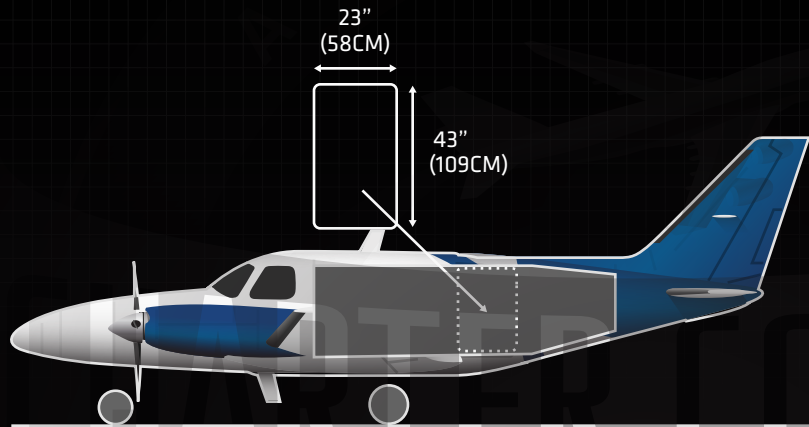




PIPER PA-31 NAVAJO



SPECIFICATIONS

IMPERIAL

METRIC

MANUFACTURER	PIPER	
TYPE	PA-31 NAVAJO	
CRUISE SPEED	205 MPH	330 KPH
MAX. PAYLOAD	1,550 LB	703 KG
MAX. VOLUME	140 CBF	4 CBM
CARGO HOLD SIZE LXWXH	132" X 40" X 46"	335CM X 102CM X 117CM
MAIN SIDE/NOSE DOOR SIZE WXH	23" X 43"	58CM X 109CM
RANGE FULLY LOADED	1,165 MI	1,875 KM
FUEL CAPACITY	243 US GAL	920 L
LOWER FORWARD DOOR WXH	N/A	N/A
LOWER AFT DOOR WXH	N/A	N/A