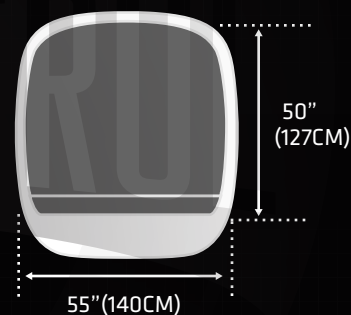
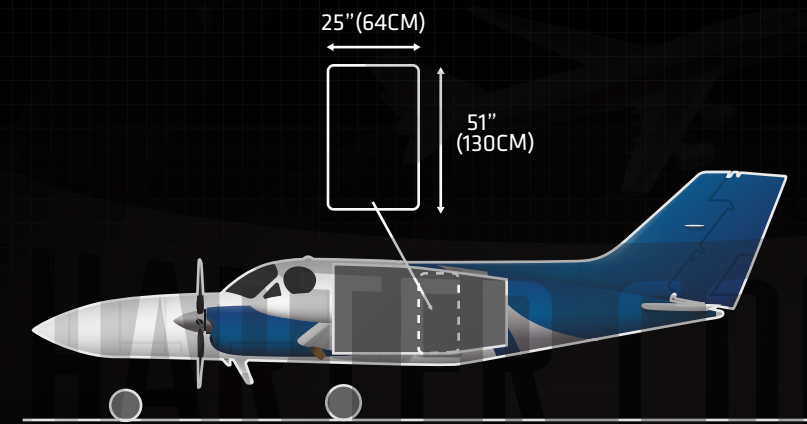




# CESSNA CE-421 GOLDEN EAGLE



## SPECIFICATIONS

## IMPERIAL

## METRIC

MANUFACTURER	CESSNA	
TYPE	CE-421 GOLDEN EAGLE	
CRUISE SPEED	276 MPH	444 KPH
MAX. PAYLOAD	950 LB	431 KG
MAX. VOLUME	149 CBF	4 CBM
CARGO HOLD SIZE LXWXH	94" X 55" X 50"	239CM X 140CM X 127CM
MAIN SIDE/NOSE DOOR SIZE WXH	25" X 51"	64CM X 130CM
RANGE FULLY LOADED	1,265 MI	2,036 KM
FUEL CAPACITY	175 GAL	662 L
LOWER FORWARD DOOR WXH	N/A	N/A
LOWER AFT DOOR WXH	N/A	N/A

24 HR +1 914 893-5010



CHARTERS@CHARTERCTRL.COM

© AIR CHARTER CONTROL. ALL RIGHTS RESERVED.