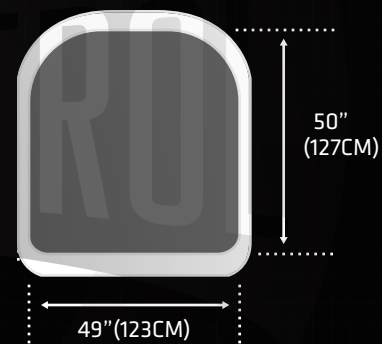
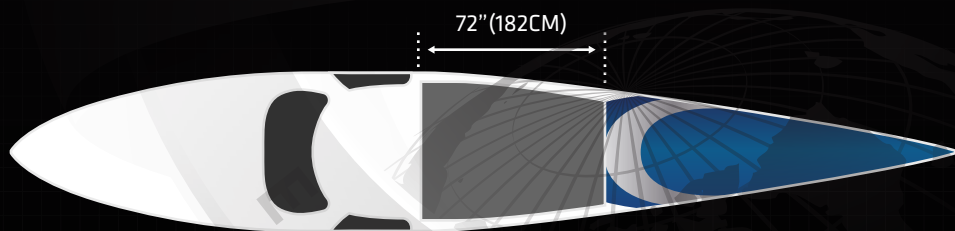
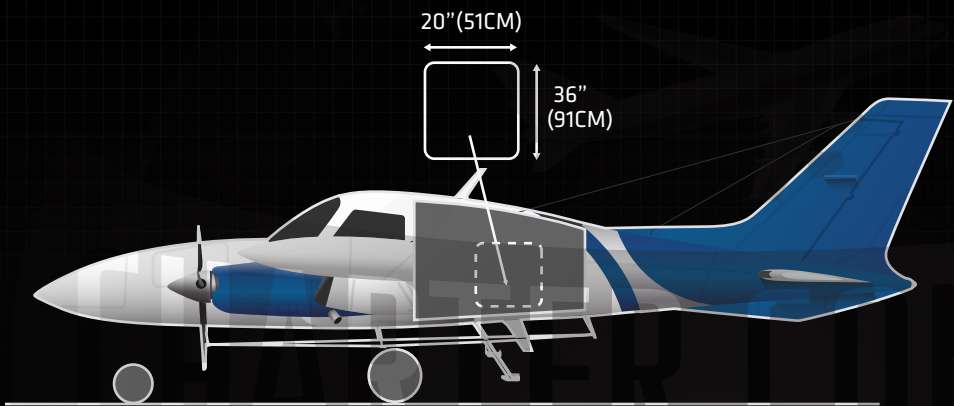




# CESSNA CE-310



## SPECIFICATIONS

## IMPERIAL

## METRIC

MANUFACTURER	CESSNA	
TYPE	CE-310	
CRUISE SPEED	200 MPH	322 KPH
MAX. PAYLOAD	800 LB	363 KG
MAX. VOLUME	100 CBF	3 CBM
CARGO HOLD SIZE LXWXH	72" X 49" X 50"	183CM X 124CM X 127CM
MAIN SIDE/NOSE DOOR SIZE WXH	20" X 36"	51CM X 91CM
RANGE FULLY LOADED	1,000 MI	1,609 KM
FUEL CAPACITY	102 GAL	386 L
LOWER FORWARD DOOR WXH	N/A	N/A
LOWER AFT DOOR WXH	N/A	N/A